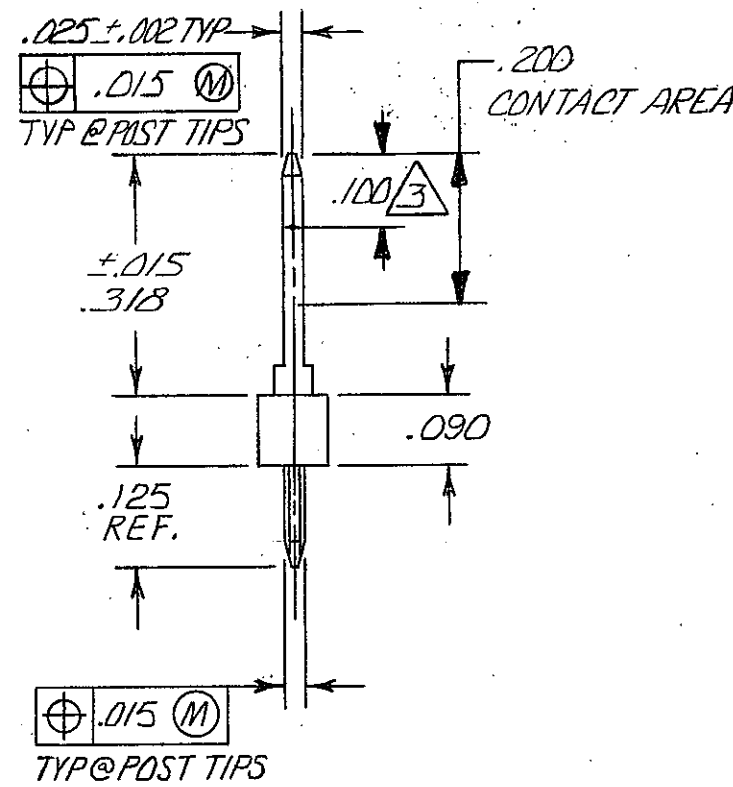
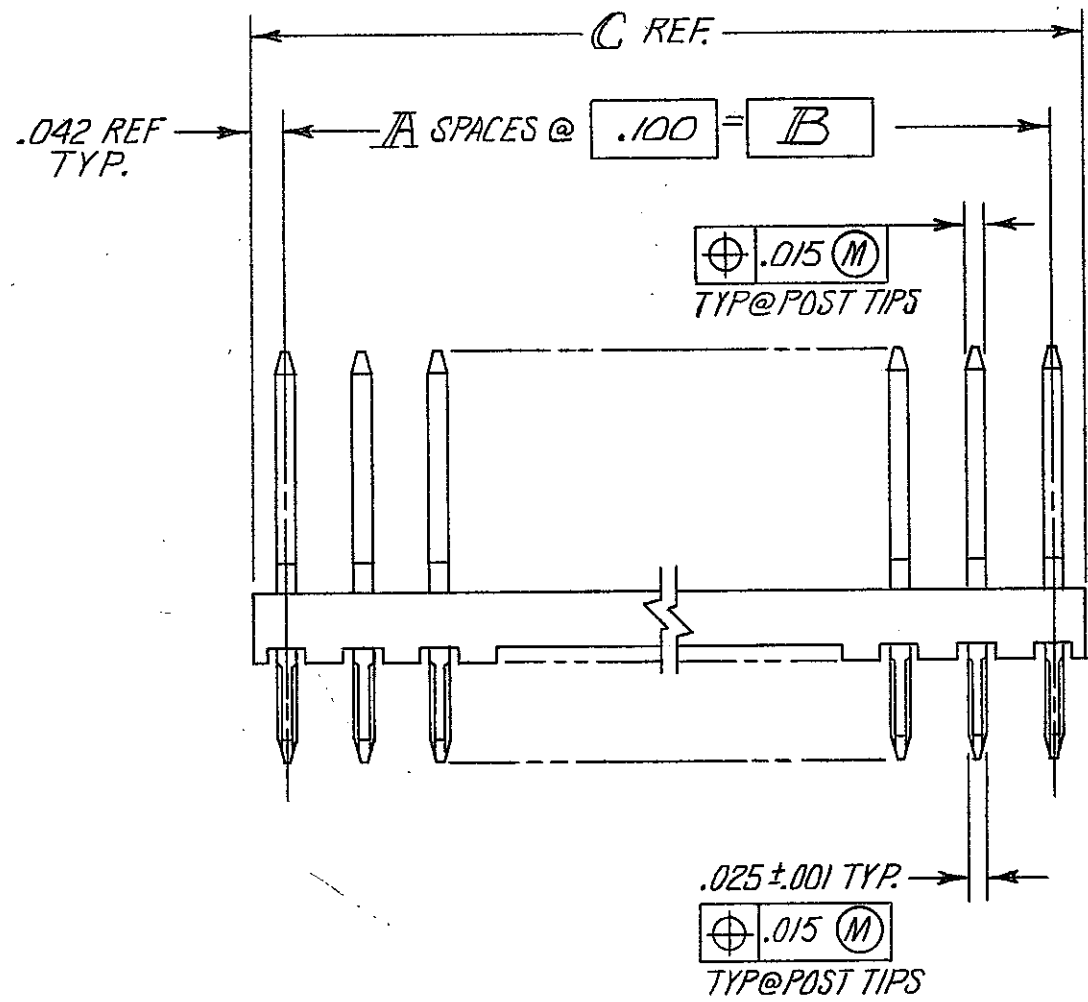


© COPYRIGHT 1981, 83 BY AMP INCORPORATED, HARRISBURG, PA. ALL INTERNATIONAL RIGHTS RESERVED. AMP INCORPORATED PRODUCTS COVERED BY U. S. AND FOREIGN PATENTS AND/OR PATENTS PENDING.

REVISIONS						
P	F	ZONE	LTR	DESCRIPTION	DATE	APPROVED
			G	REDRAWN WITHOUT CHANGE PERECN		
✓			C	REV ECN 4837	10-28-83	S.O.
✓			D	REV LOC & DIST AD-4171	11-28-89	BF
✓			E	REV ECN AD-4845	10-31-90	RF
✓			F	REV PER AD-5153	7-13-91	RF
✓			G	REV PER AD-6034	12-30-91	RF
✓			H	REV PER 0010-1355-93	1-25-94	JK
✓			J	REV PER 0010-1284-94	8-26-94	JK
✓			K	REV PER 0310-0361-97	12-1-97	SAS



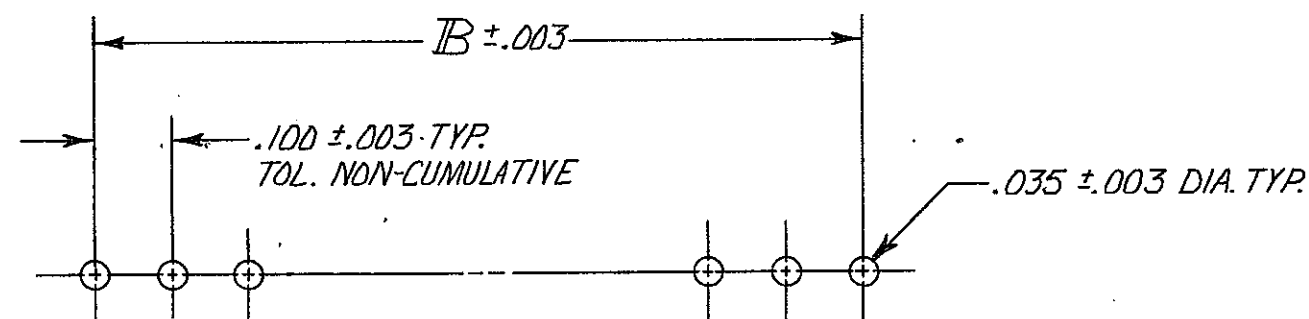
4	.284	.200	2	3	4-87224-3
	3.984	3.900	39	40	4-87224-0
	3.884	3.800	38	39	3- -9
	3.784	3.700	37	38	3- -8
	3.684	3.600	36	37	3- -7
	3.584	3.500	35	36	3- -6
	3.484	3.400	34	35	3- -5
	3.384	3.300	33	34	3- -4
	3.284	3.200	32	33	3- -3
	3.184	3.100	31	32	3- -2
	3.084	3.000	30	31	3- -1
	2.984	2.900	29	30	3- -0
	2.884	2.800	28	29	2- -9
	2.784	2.700	27	28	2- -8
	2.684	2.600	26	27	2- -7
	2.584	2.500	25	26	2- -6
	2.484	2.400	24	25	2- -5
	2.384	2.300	23	24	2- -4
	2.284	2.200	22	23	2- -3
	2.184	2.100	21	22	2- -2
	2.084	2.000	20	21	2- -1
	1.984	1.900	19	20	2-87224-0
	1.884	1.800	18	19	1- -9
	1.784	1.700	17	18	1- -8
	1.684	1.600	16	17	1- -7
	1.584	1.500	15	16	1- -6
	1.484	1.400	14	15	1- -5
	1.384	1.300	13	14	1- -4
	1.284	1.200	12	13	1- -3
	1.184	1.100	11	12	1- -2
	1.084	1.000	10	11	1- -1
	.984	.900	9	10	1- -0
	.884	.800	8	9	-9
	.784	.700	7	8	-8
	.684	.600	6	7	-7
	.584	.500	5	6	-6
	.484	.400	4	5	-5
	.384	.300	3	4	-4
	.284	.200	2	3	-3
	.184	.100	1	2	-2
	.084			1	87224-1

1. TRUE POSITION TOLERANCE OF POST TIPS APPLIES WHEN HEADERS ARE HELD FLAT AGAINST PC BOARD.

2. .000015 GOLD IN CONTACT AREA, GOLD FLASH ON SOLDER AREA, ALL OVER .000050 NICKEL.

3. POINT OF MEASUREMENT FOR PLATING THICKNESS.

4. PARTS PACKAGED IN SINGLE TUBES.



RECOMMENDED HOLE LAYOUT

UNLESS OTHERWISE SPECIFIED DIMENSIONS ARE IN INCHES. TOLERANCES ON: DECIMALS ± .005 ANGLES ±	CONTRACT NO	AMP INCORPORATED Harrisburg, Pa.	
	DR <i>D. Brubler</i> 10-05-81	NAME HEADER ASS'Y, MOD II, .025 SQ. POST, SINGLE ROW, 100 &, STACKABLE	
MATERIAL HSG: FLAME RETARDANT THERMOPLASTIC, COLOR-BLACK POSTS: PHOS. BRONZE	CHK <i>J. Johnson</i> 10-12-81	APPD <i>W. P. Cannon</i> 10-05-81	
FINISH POSTS:	APPD <i>Arnold L. Barry</i> 10-11-81	DSGN APPD	OTHER APPD
		SIZE	CODE IDENT NO
		C	00779
			87224
		SCALE	SHEET 1 OF 1